

FEATURES

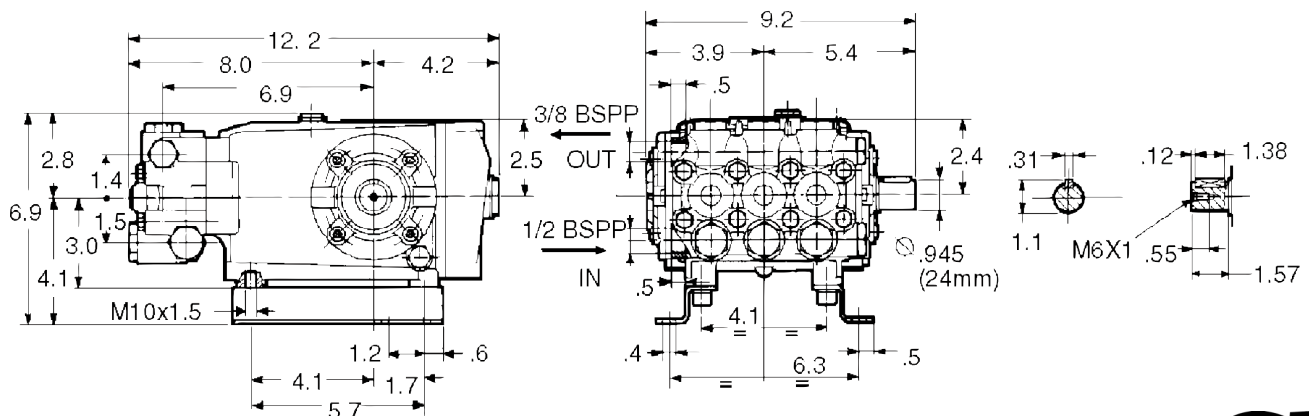
- The preferred pump frame in the pressure cleaning industry
- Forged brass manifold (T1011 and TS1021)
- Forged, nickel-plated, brass manifold (TS2021)
- Large-capacity, die-cast, anodized aluminum oil-bath crankcase
- Over-sized connecting rods for maximum life
- Heavy-duty tapered roller bearing
- Solid ceramic plungers with continuously lubricated packings
- Unitized stainless steel inlet and discharge valves



SPECIFICATIONS

Pump Model	T1011	TS1021	TS2021
Maximum Volume (GPM)	4.5 / 5.6	4.5 / 5.6	4.5 / 5.6
Maximum Discharge Pressure (PSI)	2000 / 1500	3000 / 1700	3500
Maximum Pump Speed (RPM)	1125 / 1450		
Maximum Inlet Pressure	125 PSI		
Maximum Inlet Vacuum	9 ft. water (7.9 in. Hg)		
Plunger Bore	.787 in. / 20 mm		
Plunger Stroke	.630 in. / 16 mm		
Crankcase Oil Capacity	33.8 oz.	37.2 oz.	
Maximum Fluid Temperature	165° F		
Inlet Port Thread	1/2-14 BSPP-F		
Discharge Port Thread	3/8-19 BSPP-F		
Shaft Diameter	.945 in. / 24 mm		
Weight	32 lbs.		
Dimensions	12.2" x 9.2" x 6.9"	12.6" x 9.2" x 6.9"	

DIMENSIONAL DRAWING



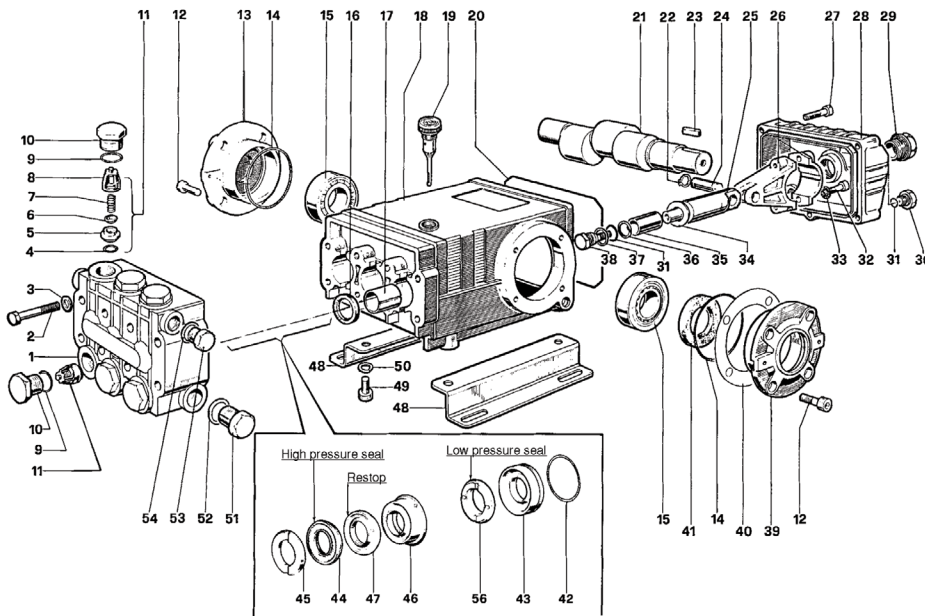
TRIPLEX

TRIPLEX

T Series 47S-20mm x 16 mm

GENERAL PUMP

A member of the Interpump Group



PARTS LIST

ITEM	PART NO.	DESCRIPTION	KIT NO.	QTY.	ITEM	PART NO.	DESCRIPTION	KIT NO.	QTY.	ITEM	PART NO.	DESCRIPTION	KIT NO.	QTY.	
1.	47120841	Manifold		1	19.	98210600	Oil Dip Stick		1	37.	96728000	Washer	6	3	
	47120941	Manifold, Ni. Plt. (TS2021)		1	20.	90392200	O-ring, Cover		1	38.	47219566	Screw, Plunger	6	3	
2.	99320600	Screw, M8 x 70		8	21.	47021735	Crankshaft, USA		1	39.	47150022	Cover, Crankcase		3	
3.	203476	Washer, M8.4		8	22.	90055700	Ring, Snap		6	40..	97567800	Shim		2	
4.	701115	O-ring, .674 x .10		8	23.	640048	Key		1	41.	90164800	Seal, Oil	3	1	
5.	36200366	Seat, Valve		6	24.	97738000	Pin, Wrist		3	42.	90361600	O-ring, 1.364x.070	10,28	3	
6.	36200176	Plate, Valve		6	25.	47050554	Guide, Plunger		3	43.	47080570	Retainer, Packing	10,28	3	
7.	94737600	Spring		6	26.	47030001	Connecting Rod		3	44.	90270500	Packing	28,69	3	
8.	36200251	Guide, Valve		6	27.	99191200	Screw, M6x30		5	45.	47100051	Ring, Head, M20	7,28	3	
9.	701002	O-ring, .797x.103	4,5	6		99183700	Screw, M6x14 (T1011)		5	46..	47216970	Intermed. Ring	28, 71	3	
10.	98222000	Cap		6	28.	47160122	Cover, Crankcase		1	47.	90270400	Restop Ring	28,69,71	3	
	98222200	Cap, Ni. Plt (TS2021)		6		47160022	Cover, Crankcase (T1011)		1	48.	47200074	Pump Feet		2	
11.	36703201	Valve Assembly		6	29.	97596800	Oil Indicator		1	49.	99364400	Screw, M10 x 18		4	
12.	99303900	Screw, M8 x 16		8	30.	98204100	Cap		1	50.	96710600	Washer, M10.2		4	
13.	47150122	Cover, Crankcase		1	31.	701013	O-ring, .426x.070	6	4	51.	98217600	Cap		1	
14.	701147	O-ring, 2.675x.103		2	32.	99309900	Screw, M8 x 35		6	52.	96751400	Washer, M21.5		1	
15.	640047	Bearing, Roller		2	33.	96701400	Washer, M8.4		6	53.	98210000	Cap		1	
16.	90162500	Seal, Oil	2	3	34..	96728600	Washer, M14		6	3	54.	96738000	Washer, M17.5		1
17.	90912600	Bushing		3	35.	47040409	Plunger, 20 mm		3	56.	90271000	Seal, Low Press, 20 mm	28, 69	3	
18.	47010522	Crankcase		1	36.	660067	Ring, Back-up		6	3					

REPAIR KITS

KIT NO.	1	2	3	4	5	6	7	10	28	69	71
ITEM NO's INCLUDED IN KIT	4,5,6 7,8 (11)	16	41	9, 10	9, 10	31,34,36 37,38	45	42, 43	42, 43 44, 45 46,47,56	44, 47 56	46, 47
NUMBER OF ASSEMBLIES IN KIT	6	3	2	6	6	3	6	3	1	3	3
NUMBER OF CYLINDERS KIT WILL SERVICE	3	3	-	3	3	3	3	3	1	3	3

TORQUE SPECS*

Pos.	Ft/lb	N-M
2	22.1	30
10	95.9	130
12	14.7	20
27	7.3	10
29	8.8	12
30	14.7	20
32	14.7	20
38	14.7	20
49	29.4	40
51	29.4	40

* Decrease torque by 20% if threads are lubricated

WARNING: High Pressure Systems require a primary pressure regulating device (i.e. regulator, unloader) and a secondary pressure relief device (i.e. pop-off valve, relief valve). Failure to install such relief devices properly could result in personal injury or damage to pump or property. GP does not assume any liability or responsibility for the operation of the user's high pressure system.



WARNING: This product can expose you to chemicals including lead, which is known to the state of California to cause cancer and birth defects or other reproductive harm. For more information, go to www.P65Warnings.ca.gov

GENERAL PUMP 1174 Northland Drive • Mendota Heights, MN 55120
Phone: 651.686.2199 • Fax: 800.535.1745 • e-mail: sales@gpcompanies.com • www.generalpump.com

Ref 300204 Rev. N
06-22

